

- For Connecting LHD Cable to Leader Wire and End of Line Resistor
- Recommended for All Outdoor Splices

Cut Sheet

Part Number: RG5222

Description

The J/ELR Box is a nonmetallic junction and termination box which is UL listed with a NEMA 4X rating and manufactured from PVC or PPO thermoplastic. A foam-in-place gasketed lids attaches with stainless steel screws. All junction and termination boxes must use a Strain Relief Connector (Part #: TC100) for all Linear Heat Detection Cable penetrations made through the enclosure wall. A 7/8" (22.2mm) hole is required to insert the Strain Relief Connector which secures and prevents damage to the LHD Cable, and seals the penetration from moisture and dirt helping prevent corrosion.

The J/ELR Box requires a Screw Terminal (Part #: TC1005X; two point or SS1005X; Six point) for connecting the leader wire from the panel to the beginning of the LHD Cable run. Screw Terminals are also used to securely connect the LHD Cable to the end of line resistor located at the end of the LHD Cable run.

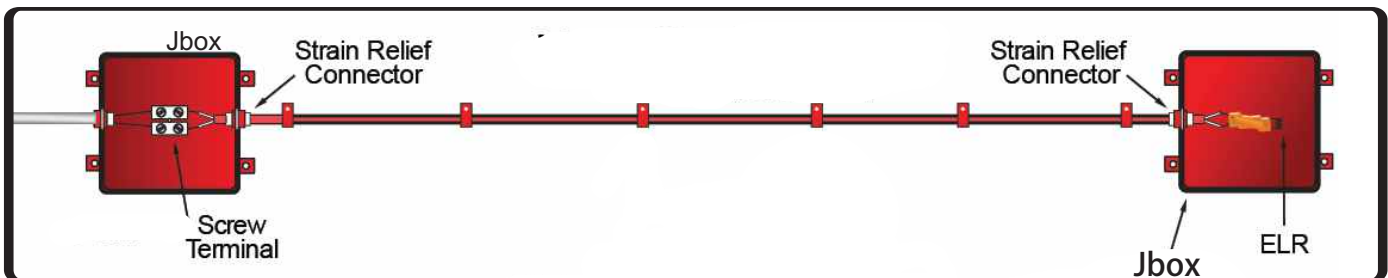
NEMA 4 (IP66)



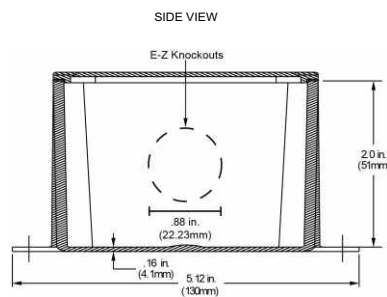
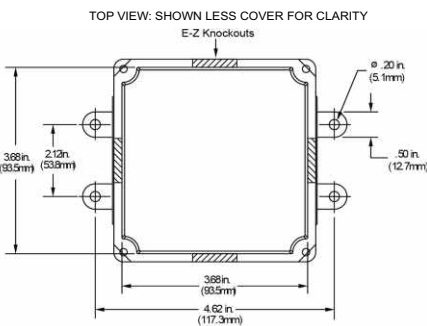
WITH COVER INSTALLED

Applications

The J/ELR Box is used for typical applications. It houses the connection of the leader wire to the Linear Heat Detection Cable, and at the end of the detection wire run where the end of line resistor connection is made. The J/ELR Box is also suitable for outdoor splices.



Details



Note: EZ knockouts size varies depending on orientation of box, 1/2" or 3/4" size.

Specifications Test Switch

Dimensions (W x H x D):	4" x 4" x 2" 10cm x 10cm x 5cm
Weight:	1.00 lbs (.46 kg)
Current Limitation:	Resistive
Rated Voltage:	-4° to +140°F (-20°C to 60°C)
Mounting Location:	Non-Hazardous or Class 1 Div.2

Note: Please refer to all federal, state and local codes, and manufacturer's recommendations prior to design or installation.



SAFE Fire Detection, Inc.
5915 Stockbridge Drive
Monroe, NC 28110
Phone: 704-821-7920
Fax: 704-821-4327
www.safefiredetection.com

This document is provided for informational purposes only and may not be reproduced in whole or part without express written permission from SAFE Fire Detection, Inc. SAFE Fire Detection, Inc. assumes no responsibility for the products suitability for a particular application. Specifications, designs and any information contained herein may change without notice.