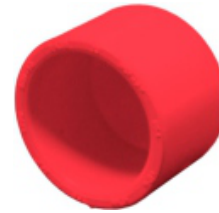


Data Sheet

PART# RP5205X

Features

- The **ONLY** pipe and fittings UL listed for use with air sampling smoke detection systems.
- Plenum rated self-extinguishing pipe and fittings
- For use with all air sampling smoke detectors
- Fittings available in packs of 10
- Custom Pipe Available with Your Company Name. (custom colors also available)
- Made in the USA



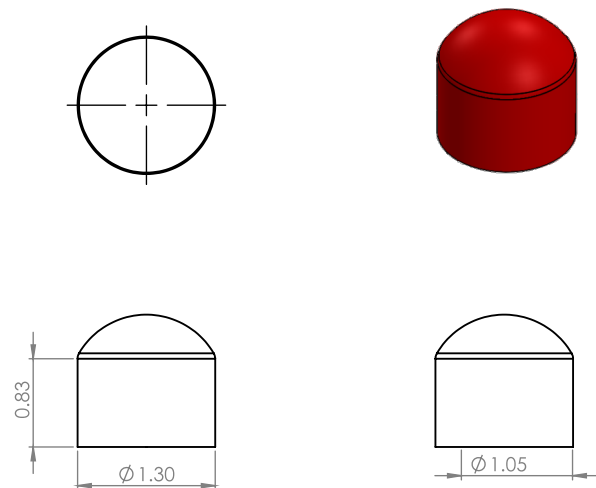
Pipe Specifications - 3/4" SCH40

Rating:	Plenum
Pipe OD:	Nominal 1.30"
Pipe ID:	Nominal 1.05"
Pipe Wall Thickness:	Nominal 0.09"
Flammability:	V-2, NFPA 90A
Polyethylene Classification:	Type 1, Class C, Category 4
Installation Temp:	0°F-201°F (-17°C-93°C)
Operational Temp:	-40°F-201°F (-40°C-93°C)



MADE IN THE USA

Dimensions



Safe Fire Detection, Inc.
5915 Stockbridge Drive
Monroe, NC 28110
Phone: 704-821-7920
Fax: 704-821-4327
www.safefiredetection.com

This document is provided for informational purposes only and may not be reproduced in whole or part without express written permission from SAFE Fire Detection, Inc. SAFE Fire Detection, Inc. assumes no responsibility for the products suitability for a particular application. Specifications, designs and any information contained herein may change without notice.

Publication Number: TC1XX

© Safe Fire Detection, Inc.